

# The Domino S300+

*Compact, high-power scribing laser designed for high speed coding on a wide range of surfaces including PET, glass and labels.*



## Key Benefits:

### High Quality Codes

- Consistent, permanent clear codes from simple single-line batch codes to multiple lines with real-time data
- Flexible code design, including the ability to mark serial numbers, batch codes, bar codes, 2D codes, fonts and graphics in any orientation
- Precise, letter-quality codes even at high production speeds
- Produces two lines of code at speeds in excess of 1,000 bottles per minute on PET, and 152 m/minute (500ft/min) on labels
- Produces crisp codes on PET without piercing the product

### High Reliability

- Designed for use in demanding production environments
- Low maintenance

### Easy to Install

- Small, light laser head can be mounted into tight production spaces and easily adjusted
- Compact control unit can be shelf-mounted for best positioning on production lines

### Simple to Use

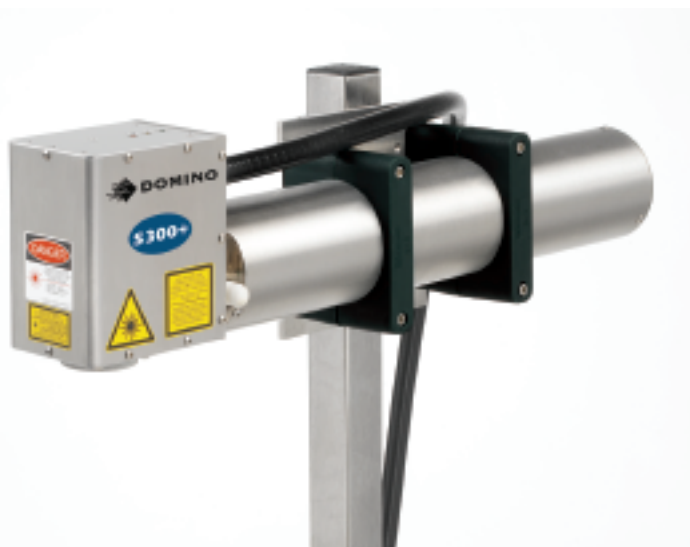
- Visible red aiming beam simplifies laser focusing, code position adjustment
- Colour touch-screen interface and familiar function keys for fast code set up and editing

## Main Features:

- Designed to IP55
- High-resolution optics
- Laser beam steered by unique scanning technology
- Compact, light laser head
- Intuitive Windows® based software



Versatile and quality codes



Basic User Interface for simple operation

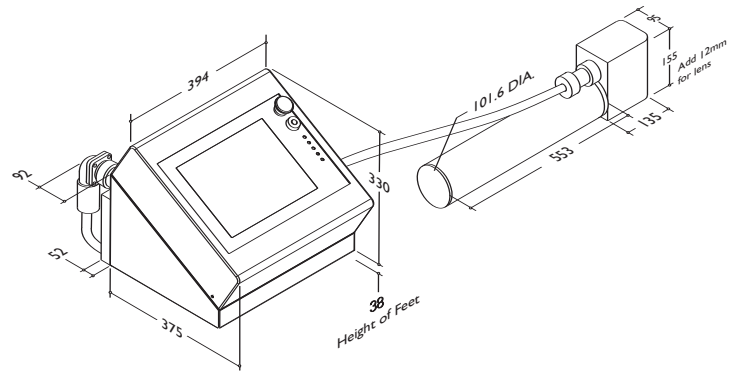
## Technical Specification:

	<b>S300+</b>
<b>Laser Type</b>	Sealed CO <sub>2</sub> Laser
<b>Laser Power</b>	30W
<b>Marking Features</b>	
<b>Characters per Second</b>	800*
<b>Product Line Speed</b>	Up to 305 m/min* (1000 ft/min*)
<b>Number of lines of text</b>	As many as required
<b>Character Height</b>	0.8 – 76 mm (0.03"-3.0")
<b>Fonts</b>	24 fonts, multi-language, including Asian characters
<b>Marking Options</b>	Text, logos, bar codes, 2D codes, graphics, automatic serial numbering, batch coding and real time clocks
<b>Marking Field</b>	56x56 mm (2.2"x2.2"), Focal Length 89 mm (3.5")
<b>&amp; Focal Length</b>	76x76 mm (3.0"x3.0"), Focal Length 127 mm (5.0")
<b>User Interface</b>	12.1" colour touch screen with WYSIWYG and SVGA quality (800 x 600 mm resolution) display control language in English, German, French, Spanish, Dutch, Danish, Polish, Portuguese, Italian, Hungarian, Korean, Russian, Swedish, Chinese (Simplified), Czech, Finnish and Japanese
<b>Operating System</b>	Microsoft Windows ® XPe
<b>Laser Head</b>	Stainless steel (304)
<b>Weight &amp; Dimensions</b>	10.9 Kg (24 lbs), L x H x W: 688 x 167 x 107mm, (27.09 x 6.57 x 4.21"), including lens
<b>Control Cabinet</b>	Stainless steel (304)
<b>Weight &amp; Dimensions</b>	18 Kg (40 lbs), D x H x W: 427 x 368 x 394 mm (16.81 x 14.49 x 15.51")
<b>Conduit Length</b>	3 m (9.85 ft), 6 m (19.69 ft) optional
<b>Inputs &amp; Outputs</b>	
<b>Product Detect Inputs</b>	NPN/PNP/ 2V - sensor
<b>Product Speed Detect</b>	Quadrature shaft encoder
<b>Signal Inputs</b>	External E-stop, interlock circuits, 9 configurable user inputs
<b>Signal Outputs</b>	Alarm, ready signal, fume extraction control, cooling air solenoid control, E-stop status, print complete, 3 configurable user output
<b>Interfaces</b>	PS2, VGA, RS232, Ethernet, USB, IDE
<b>Electrical Requirements</b>	90 – 264 VAC, 47 – 63Hz, 600VA typical
<b>Environment</b>	
<b>Cooling</b>	Compressed air required typically 7 SCFM (200 litres/min) duty cycle and ambient temperature dependent
<b>Environmental Standard</b>	IP55, CE mark
<b>Operating Temperature</b>	5 to 45°C (41 to 113°F)
<b>Operating Humidity</b>	10 – 95% non-condensing
<b>Options</b>	Laser head mounting bracket, control cabinet stand, alarm beacon, fume extractor, air filtration kit

\*Character generation and production speeds are substrate and code dependent

### Dimensions

All dimensions in millimetres



**Australia**  
Domino (Australia) Pty. Ltd.  
1, Neutron Place  
Rowville  
Melbourne  
Victoria 3178  
Australia  
Tel: + 61 3 9764 8485

**Canada**  
Domino Printing  
Solutions Inc.  
2751 Coventry Road  
Oakville  
Ontario  
L6H 5V9  
Tel: + 1 800 387 7972

**India**  
Domino Printech India  
Private Limited  
167, Udyog Vihar Phase I,  
H.S.I.D.C Gurgaon -  
122016 Haryana  
Tel: + 91 124 500 7406

**United Arab  
Emirates**  
Domino UK Ltd (Dubai)  
PO Box 16984  
Jebel Ali  
Dubai  
Tel: + 971 4 88 35003

**United Kingdom**  
Domino UK Ltd  
Bar Hill  
Cambridge  
CB23 8TU  
Tel: + 44 1954 782 551

**United States of America**  
Domino Amjet, Inc.  
1290 Lakeside Drive  
Gurnee  
Illinois 60031  
Tel: + 1 800 486 7414



[www.domino-printing.com](http://www.domino-printing.com)

