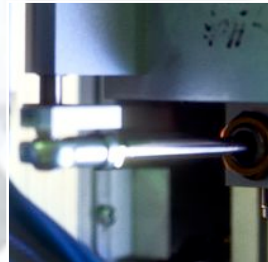


# Print and Apply Solutions

## Applicator Overview



# The unknown art of applying a label...

When choosing Domino for your project you can be confident that we have the knowledge to get all the essential facts - that will ensure you have the best possible solution to your Print & Apply applications! This brochure is a short guide and example of what can be done - and what will have to be considered to achieve it!

Product speed, label size, shape, surface, operator handling, side to be labelled, environment... the list of different factors that you MUST consider if you want a good solution that will last for many years - can become very long.

## 4 basic ways to apply the label



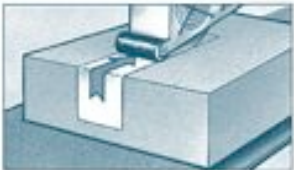
**Blow**  
Fast, easy and cheap  
Very limited distance  
Not so accurate



**Tamp**  
Most common  
Fits most applications  
Flexible distance, accurate



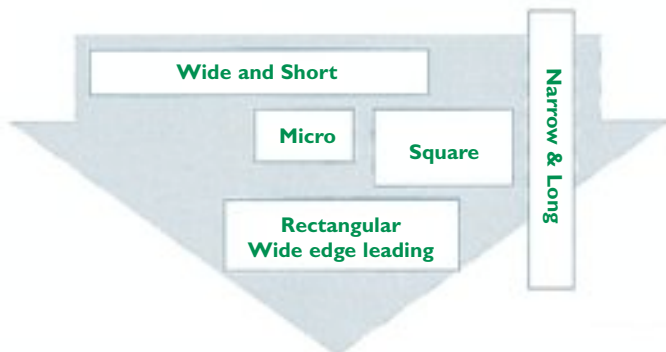
**Tamp and Blow**  
Air Blow helps label stick  
also on uneven surfaces



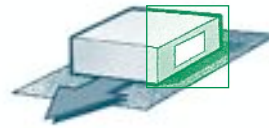
**Wipe**  
The best way to apply  
long labels

## Label size and direction

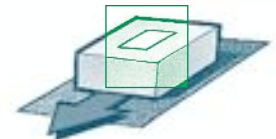
Size of label is always in respect to the Print direction.  
You always mention the width and the length.  
Example: A5 portrait label is 148 (w) x 210 (l) mm.



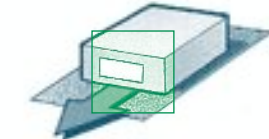
## Where to apply the label



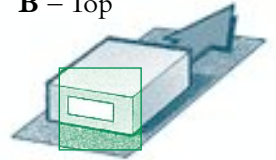
A - Side



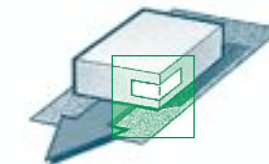
B - Top



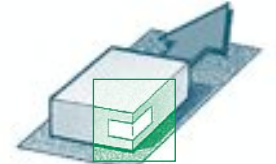
C - Front



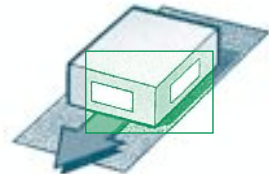
D - Back



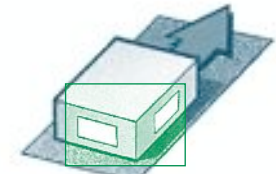
E - Front-Side (Corner)



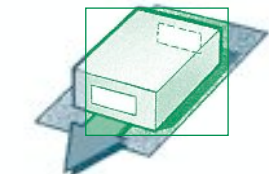
F - Side-Back (Corner)



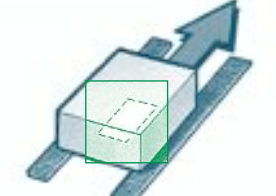
G - Front and Side



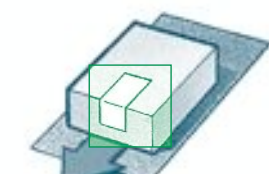
H - Side & Back



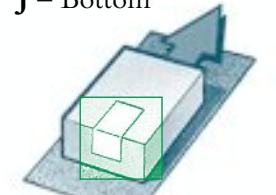
I - Front and Back



J - Bottom



K - Front-Top (Wrap)



L - Top-Back

## Domino's wide product range...

We are proud to offer you the market's widest range of products and solutions within Print & Apply. With twelve models of print engines and over 60 different applicator solutions - there will be a solution that meets your application requirements!

Below you will find an overview of the most common variants / groups of applicators solutions. Further details and additional models / solutions - contact your sales representative.

### A1160

---

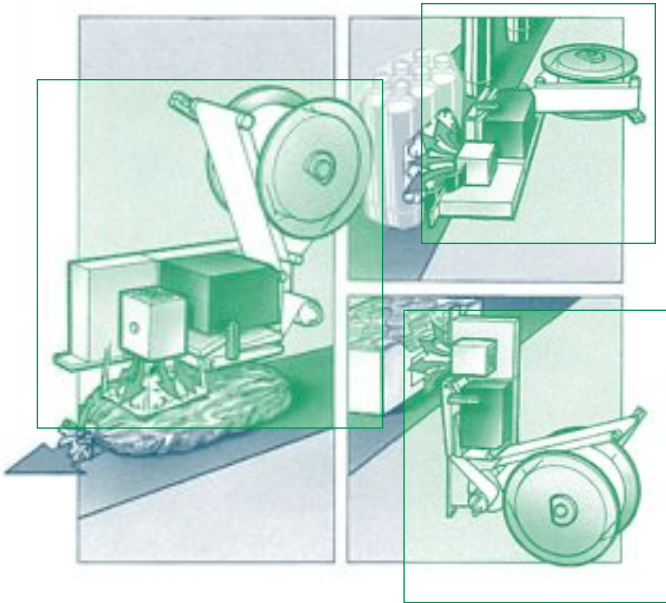
**Apply where:** Top/Bottom/Side

**Distance:** 0-50 mm

**Recommended Label Size:**

Min 40x40 Max 100x100

**Information:** Adjustable blow



### A1170

---

**Apply where:** Top/Bottom/Side

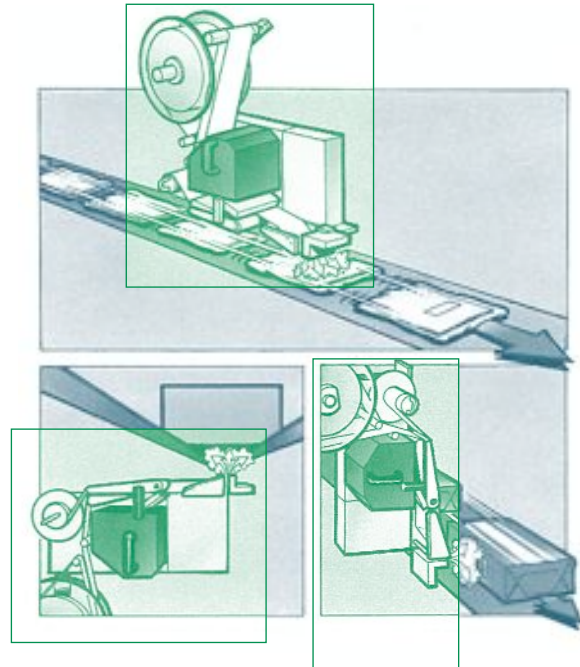
**Distance:** Approx. 50 mm

**Recommended Label Size:**

Min 20x20 Max 100x50

**Information:**

Adjustable beak. NOT 1:1 print/apply



## A2170

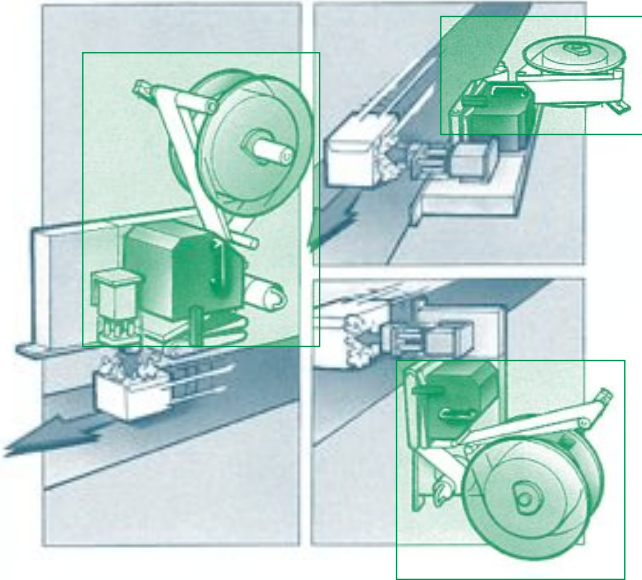
**Apply where:** Top/Bottom/Side

**Distance:** Approx. 50 mm

**Recommended Label Size:**

Min 20x20 Max 100x50

**Information:** Blow On with better accuracy



## A2220

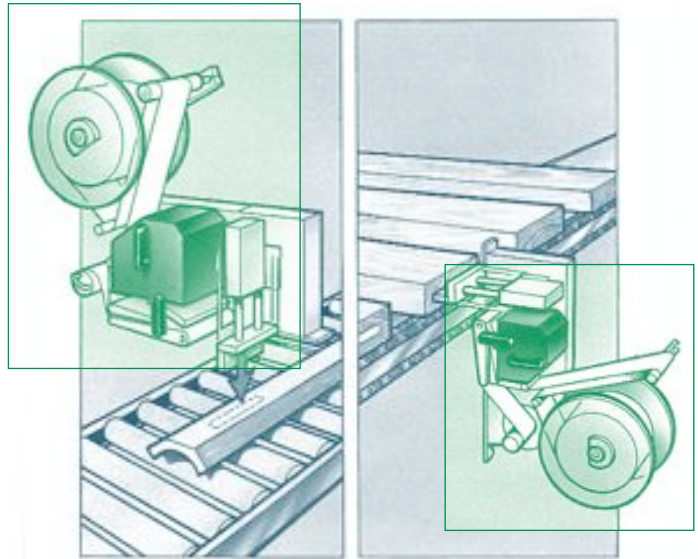
**Apply where:** Top/Bottom/Side

**Distance:** 0-1000 mm

**Recommended Label Size:**

Min 20x20 Max 210x160

**Information:** Small and medium size label



## A2225

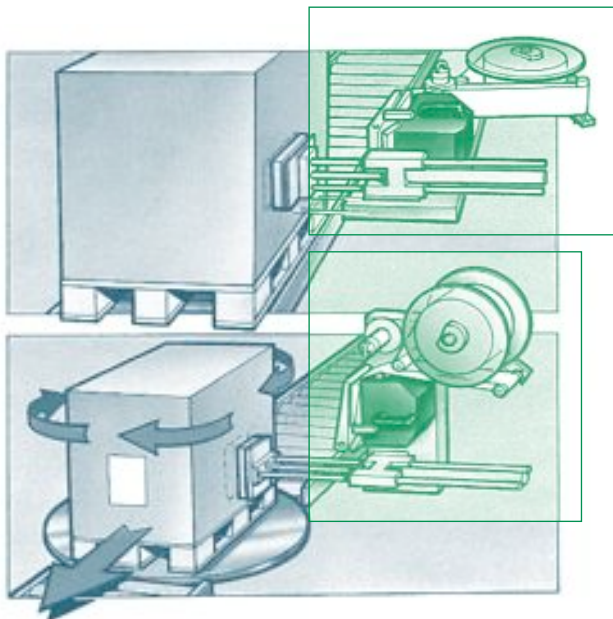
**Apply where:** Top/Bottom/Side

**Distance:** 0-1000 mm

**Recommended Label Size:**

Min 50x165 Max 210x300

**Information:** Large size labels



## A2240

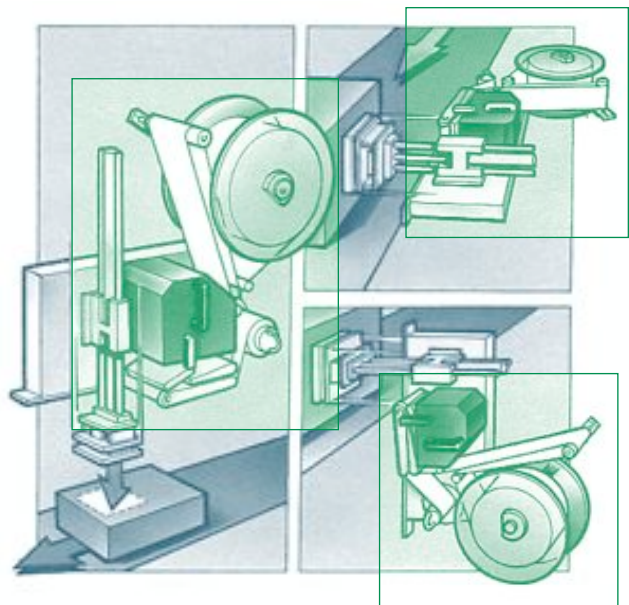
**Apply where:** Top/Bottom/Side

**Distance:** 0-1000 mm

**Recommended Label Size:**

Min 40x40 Max 210x160

**Information:** For labelling in dusty environments



## A2335M / A2335M + M512

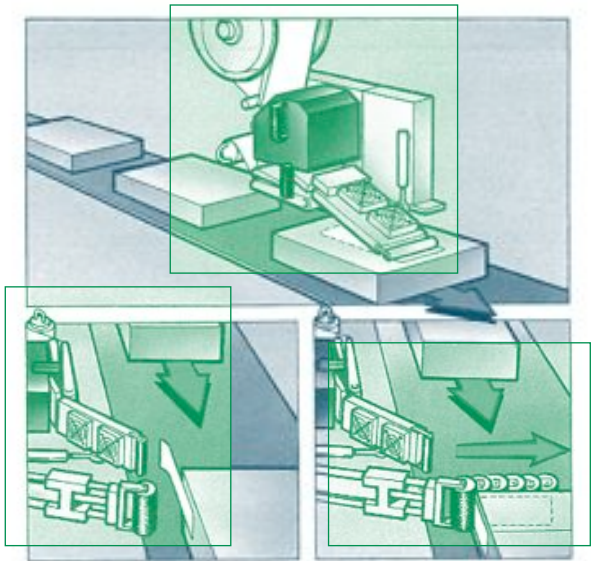
**Apply where:** Top/Bottom/Side or around a corner

**Distance:** 0-70 mm

**Recommended Label Size:**

Min 50x200 Max 160x350

**Information:** Side - back / Top - back with pusher



## A3225

**Apply where:** Front or Back

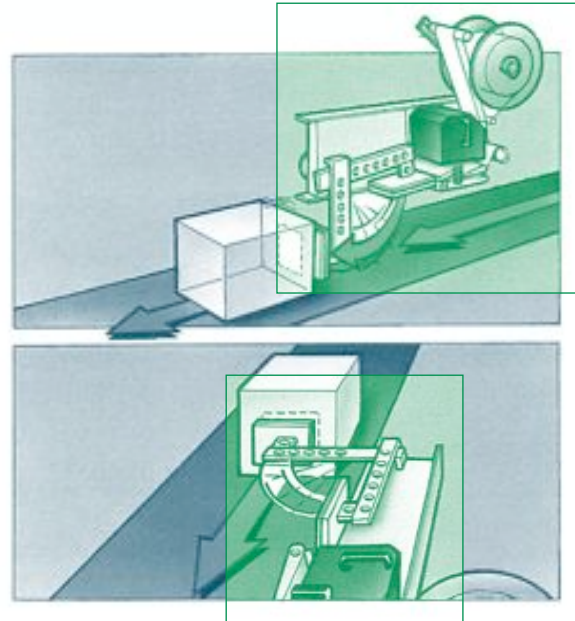
**Distance:** 0-400 mm

**Recommended Label Size:**

Min 20x20 Max 160x250

**Information:**

The label is applied on a moving product



## A2385M

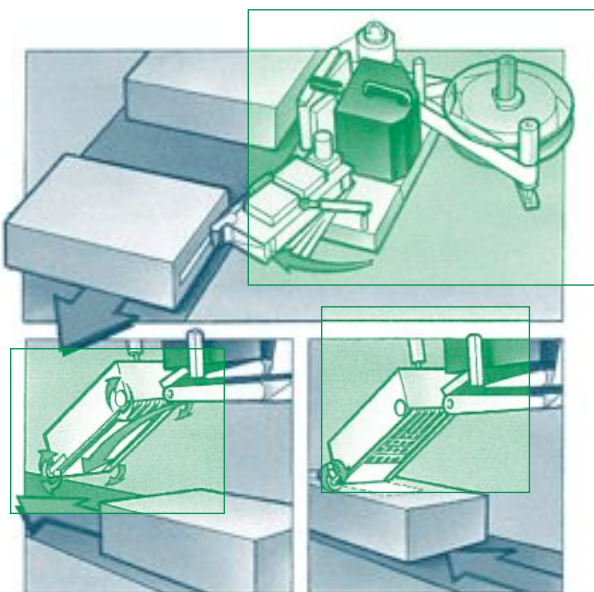
**Apply where:** Top/Bottom/Side or around a corner

**Distance:** 0-70 mm

**Recommended Label Size:**

Min 30x100 Max 160x500

**Information:** Side - back / Top - back with pusher



## A8210

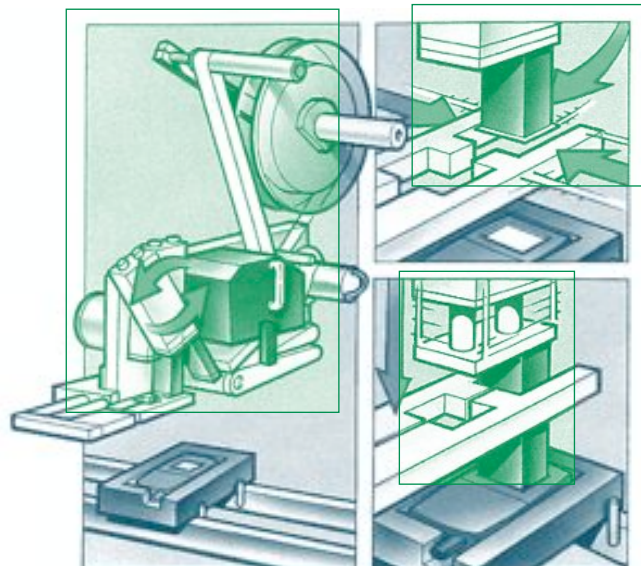
**Apply where:** Top/Bottom/Side

**Distance:** 0-100 mm

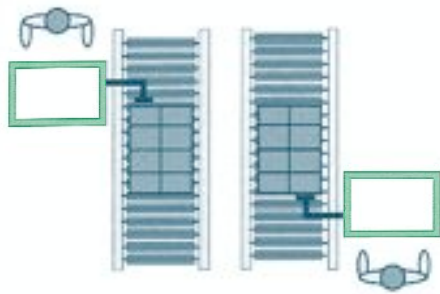
**Recommended Label Size:**

Min 5x5 Max 60x80

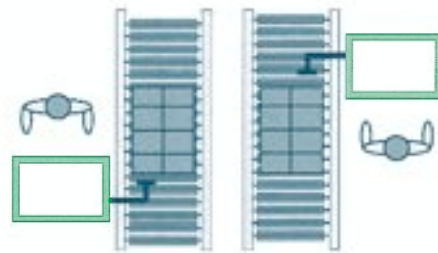
**Information:** The labels are applied with very high accuracy,  $\pm 0,1$  mm



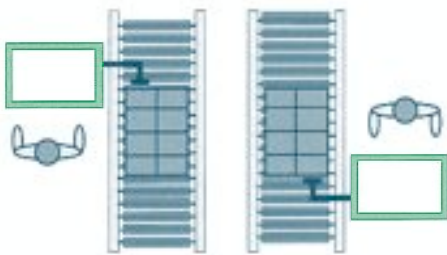
## Handling Options for Pallet Labellers



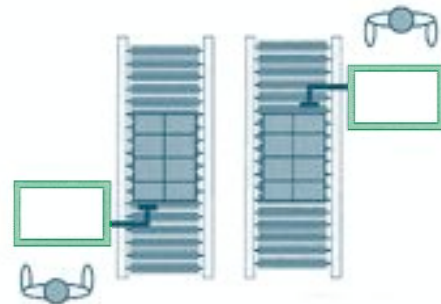
Left hand / Turning inwards [TI]



Left hand / Turning outwards [TO]



Right hand / Turning outwards [TO]



Right hand / Turning inwards [TI]

### A6225 - T10

**Apply where:** Front and Side

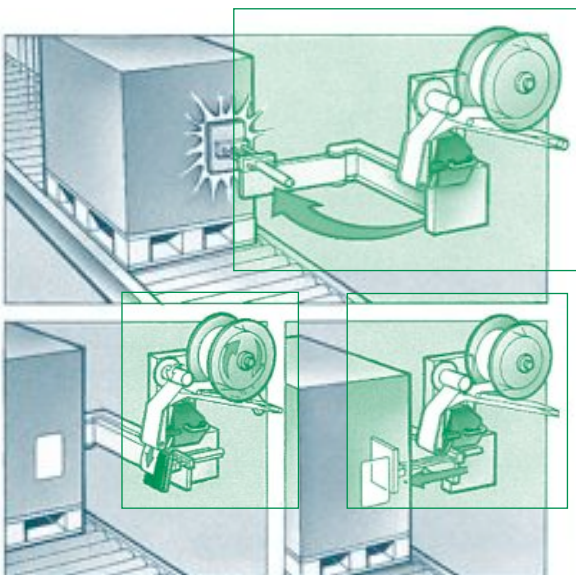
**Distance:** Approx. 200 mm

**Recommended Label Size:**

Min 50x50 Max 160x250

**Information:**

The labels are applied on a moving pallet/carton



### A6225 - T12

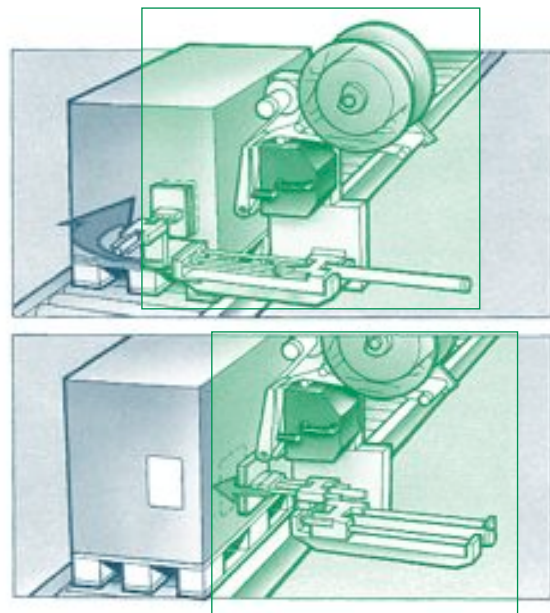
**Apply where:** Front and Side/Side and Back

**Distance:** 0-800 mm

**Recommended Label Size:**

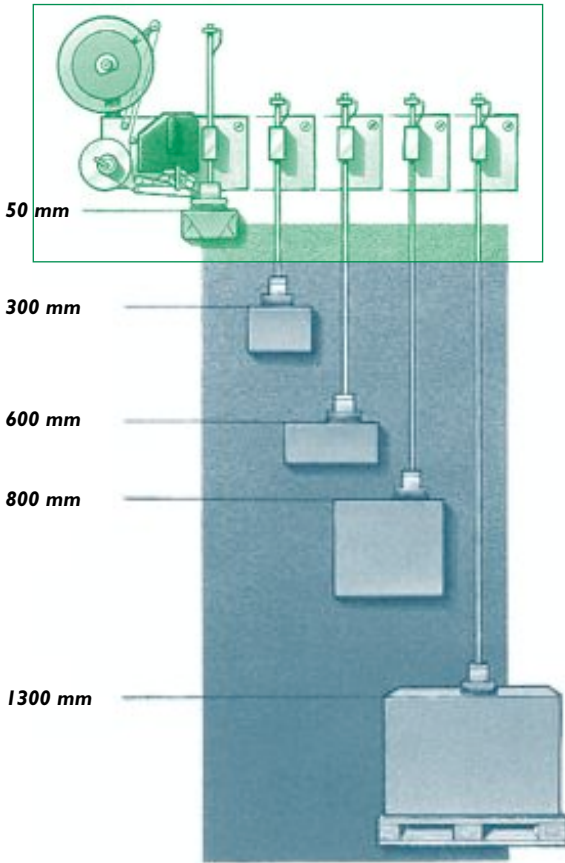
Min 50x50 Max 160x250

**Information:** One or two stops to apply the labels



## The DISTANCE to the object

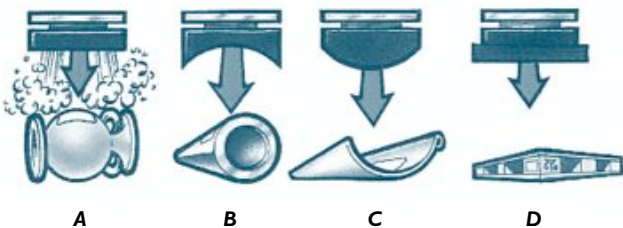
The distance to the object is important. The shorter – the better! 200 – 300 mm is very typical – but up to over 1 meter is possible (can be divided onto two or three cylinders).



## The SHAPE of the object

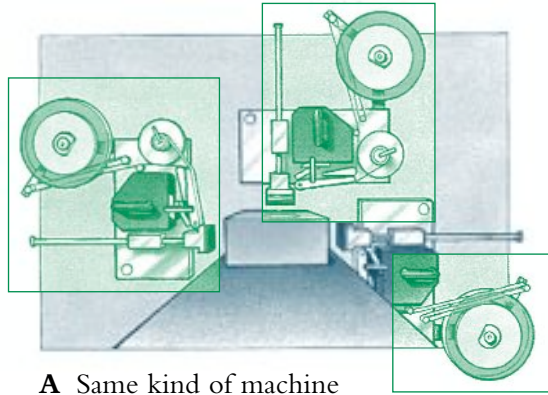
For perhaps 80% you have an even regular object/surface. For some cases it might however be more "tricky" and special considerations have to be made.

- A** For fragile and/or odd-shaped objects – BLOW on is best
- B** For convex objects like tubes, paper rolls etc – a concave press-on pad with built in air blow helps do the job.
- C** For concave objects – a convex press-on pad with built in air blow gets the label applied.
- D** For rugged surfaces like wood/pallets etc – a press-on pad with rubber coating makes the label stick.

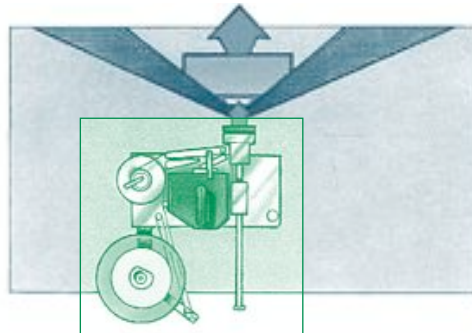


## Operation and Mounting

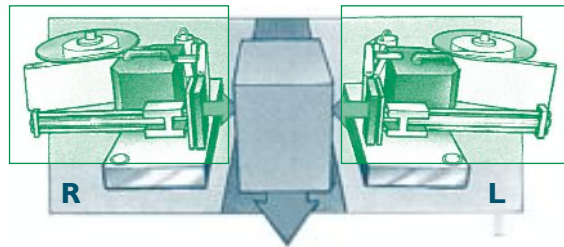
To optimise handling, performance and operation – all machines are available in both LEFT and RIGHT hand versions. Furthermore, they are designed so that they can be mounted in many different ways.



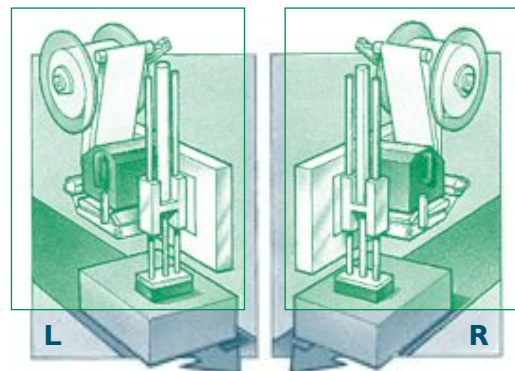
**A** Same kind of machine – mounted in different ways. Top-down or Side-in



**B** Also working from underneath  
Bottom-Up – is possible



**C** Right hand and Left hand machines laying down on side – printing in the same direction as object is moving



**D** Left hand and Right hand machines working Top-Down



# Domino Worldwide

Through an extensive global network of subsidiaries and distributors, Domino operates in over 120 countries. This network offers customers both sales support and access to highly skilled service teams, providing technical support packages to suit the varying production environments and customer requirements across the world.

## AUSTRALIA

Domino (Australia) Pty. Ltd.  
Unit 12  
6 Gladstone Road  
Castle Hill  
Sydney  
NSW 2154  
Tel: + 61 2 9894 7833

## CANADA

Domino Printing Solutions Inc.  
2751 Coventry Road  
Oakville  
Ontario  
L6H 5V9  
Tel: + 1 800 387 7972

## CHINA

Domino Coding Ltd.  
No. 1150 yun Qiao Road  
Jin Qiao Export  
Processing Zone  
Pudong  
Shanghai 201206  
Tel: + 86 21 5050 9999

## FRANCE

Domino SAS  
ZA du Bel Air  
2 Rue Mege Mouries  
78120 Rambouillet  
Tel: + 33 1 3046 5678

## GERMANY

Domino Deutschland GmbH  
Lorenz-Schott-Strasse 3  
55252 Mainz-Kastel  
Tel: + 49 61 34 25 050

## INDIA

Domino Printech India  
Private Limited  
167, Udyog Vihar Phase I,  
H.S.I.D.C Gurgaon -  
122016 Haryana  
Tel: + 91 124 400 7406

## MEXICO

Domino Printing México  
SA de CV  
Calle 3 No. 47 Local 6F Col.  
Industrial Naucalpan  
53370 Edo. De México  
Tel: + 52 55 5576 7979

## NETHERLANDS

Domino Amjet BV  
Ambachtsweg 8  
3991 LH Houten  
Tel: + 31 30 636 3333

## SOUTH KOREA

Domino Korea Pte Ltd  
1st-3rd Floor  
Rich Town Building  
694 Bokjeong-dong,  
Sujeong-gu  
Seongnam-city, Gyeonggi-do  
461-200  
Tel: + 82 2 797 1811

## SPAIN

Domino Amjet Ibérica S.A.  
Avenida Fuente Nueva No 14  
28700 S.S. de los Reyes  
Madrid  
Tel: + 34 91 654 2141

## UNITED ARAB EMIRATES

Domino UK Ltd (Dubai)  
PO Box 16984  
Jebel Ali  
Dubai  
Tel: + 971 4 88 35003

## UNITED KINGDOM

Domino UK Ltd  
Bar Hill  
Cambridge  
CB3 8TU  
Tel: + 44 1954 782 551

## UNITED STATES OF AMERICA

Domino Amjet. Inc.  
1290 Lakeside Drive  
Gurnee  
Illinois 60031  
Tel: + 1 800 486 7414

[www.domino-printing.com](http://www.domino-printing.com)