

L400

User friendly, high resolution ink jet printing system



data sheet

L400 Thermal Ink Jet Printer

The Domino L400, featuring the latest thermal ink jet (TIJ) technology is simple to use, easy to maintain and sets the standard for print quality and operational performance.

The L400 can be integrated with mail bases, envelope inserters, folders, narrow print webs, for applications where high print quality is demanded. The powerful variable data printing capabilities include addressing with the latest postal barcodes, postage paid indicia, graphics and messaging. All common industry barcodes are available including linear and 2D barcodes.



L400 on the Domino BaseLine ink jet mail base

Print Performance

Each print head provides up to a 2” (50.8mm) print swathe delivered by four 0.5” (12.7mm) print head cartridges. An L400 system can include up to four print heads with image bands that can be stitched together to provide up to 8” (203mm) of variable print.

The vertical print resolution (perpendicular to the material travel direction) is 600dpi. The horizontal resolution is selectable but is dependent on the operational speed.

Horizontal Resolution	Vertical Resolution	Max Speed		Image per print head	
		(ft/min)	(m/min)	Height (inch)	Height (mm)
150dpi	600dpi	760	230	2.0	50.8
225dpi	600dpi	540	165	2.0	50.8
300dpi	600dpi	420	125	2.0	50.8
450dpi	600dpi	270	80	2.0	50.8
600dpi	600dpi	200	60	2.0	50.8

The L400, featuring the latest thermal ink jet print head technology, generates small 24pl. size droplets that results in less ink spread, producing a sharp refined printed image. The Duojet (twin print nozzle concept), ensures that should a print nozzle become blocked, the printed image is maintained.

Disposable Ink System

The cartridge houses the print technology and the ink supply. Cartridges quickly snap into place, so you can switch to a spot colour or other different ink types in seconds. This provides the opportunity for significant image design creativity whilst not impacting operational efficiency.

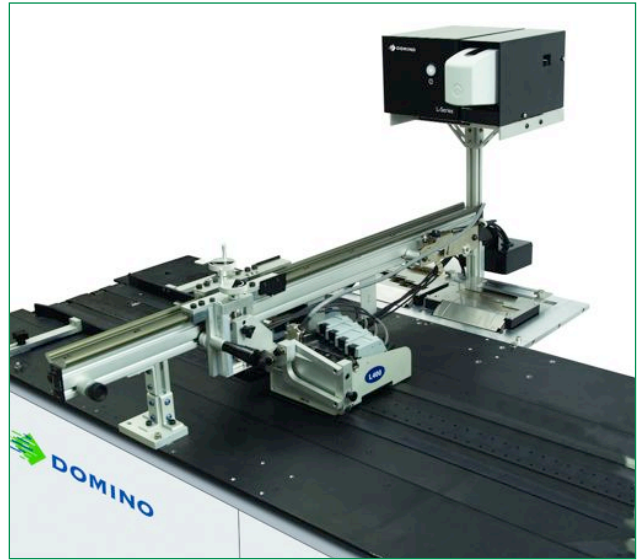


Disposable cartridge replacement

Bulk Ink System

The L400 bulk ink system provides a cost effective, efficient solution for high volume printing. Ink is supplied from a 400ml bulk ink tank, via a separate intermediate reservoir, to the ink cartridges. This normally allows over 100 uninterrupted hours of operation. Each set of cartridges will run up to eight bulk tanks prior to requiring replacement.

The L400 system can be configured with a mix of bulk ink and disposable ink cartridge based print heads. This enables higher volume requirements for black ink to be complemented by a disposable print head for spot colours and lower run requirements.



L400 system with Bulk Ink variant

Production Efficiency

The L400 replacement print head cartridge concept requires minimal maintenance. The simple modular design enables you to quickly and easily correct any print issues that may arise. Available time for operation is maximised.

The L400, typically with 20% smaller ink drops, reduces overall consumables spend.

Maintenance Station

Standard maintenance includes quick and simple head wiping, plus capping at the end of operation.

With the M-Station (the optional Maintenance Station), the head cartridges are automatically wiped and purged. If left unattended, the cartridges are automatically capped, ready for rapid re-use.



Bulk Ink print head entering M-Station

Ink Range

Inks are all aqueous based and have no special handling requirements.

- General Purpose
 - AQ10BK¹ Black
 - AQ10RD Red
 - AQ10BL Blue
 - AQ10YL Yellow
 - AQ10GR Green
- Longer Stand-By Time
 - AQ11BK¹ Black
- Fast Drying
 - AQ12BK^{1,2} Black

For porous substrates such as envelopes, business forms or newspapers separate drying technology is not required.

For calendared paper, an IR dryer is needed in order to improve print speeds.

Please refer to your local Domino representative for any special substrate requirements.

FlexMail™ Ink Jet Controller

The L400 is controlled by the Windows® XP, PC based industry standard FlexMail™ thermal ink jet printer controller.

Simple to operate, this system includes database configuration tools to allow the rapid set up of production jobs based on supplied data files. The user interface allows easy design of the image templates required for printing.

Provides timed output signals, through the L400, to a stacker or surge exit belt, in order to facilitate mail sort control.

Domino Editor GT Controller²

For advanced applications, where you need to control the complete range of Domino printers, the L400 can be controlled by the Domino Editor GT, Windows® XP based controller. This modular solution can undertake applications from single point addressing and then can be upgraded to include product tracking with multiple position printing, camera based product matching and print verification, as well as a wide range of other machine control options.



Domino L400 Ink Range



Mr S. Peterson
Domino Amjet, Inc.
1290 Lakeside Drive
Gurnee
Illinois 60031

Rotated Text
Arial 12pt
Arial 10pt
Arial 8pt
Arial 6pt
Arial 4pt

Printing upto 600dpi



2" (50.8mm) print swathe printed at 600 x 600 dpi.

Representation of print quality only, final quality is dependant on substrate and operator

¹ Also available in Bulk Ink supply format

² Special operating conditions apply

Technical Specification

General

- Up to 2" (50.8mm) printed image width per print head
- Print resolution 600dpi across the 2" (50.8mm) print swathe (vertically) and running speed dependent, between 150 and 600dpi in the material travel direction (horizontally)
- Up to four Domino L400 2" (50.8mm) print heads per system
- USB 2.0 link to FlexMail or Editor GT controller

Print Head

- Dimensions:
6" (142mm) (L) x 3.6" (75mm) (H) x 7.3" (185mm) (W)

Power Supply Assembly

- 120v - 230v, 50/60Hz, auto ranging
- Dimensions:
9.25" (235mm) (L) x 6.22" (158mm) (H) x 7.3" (185mm) (W)

IR dryer

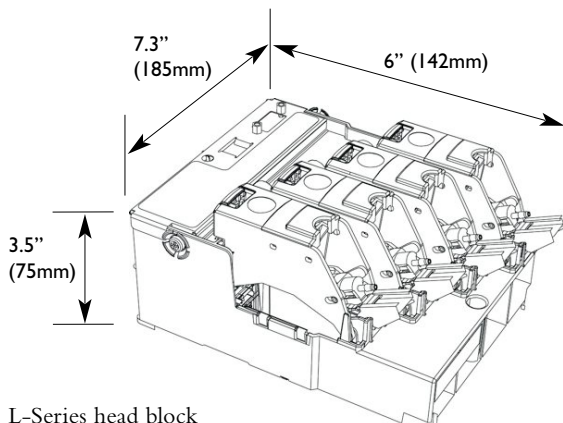
- Dimensions:
5.5" (140mm) (L) x 24" (610mm) (W) x 6" (152mm) (H)
- Drying area: 16" (406 mm) (L) x 4" (102mm) (W)
- Total load per dryer: 12kW (4 x 3kW lamps)
- Power required: 50A 240V single phase, 50/60 Hz

Bulk System

- Tank assembly dimensions:
9.25" (235mm) (L) x 6.22" (158mm) (H) x 3.5" (90mm) (W) (excludes Ink Tank)
- Height between transport belt and intermediate reservoir:
4.4" (111mm) -2.4/+3.5" (-60/+90mm)

Input Outputs

- 8 Inputs / 8 Outputs



FlexMail™ Controller

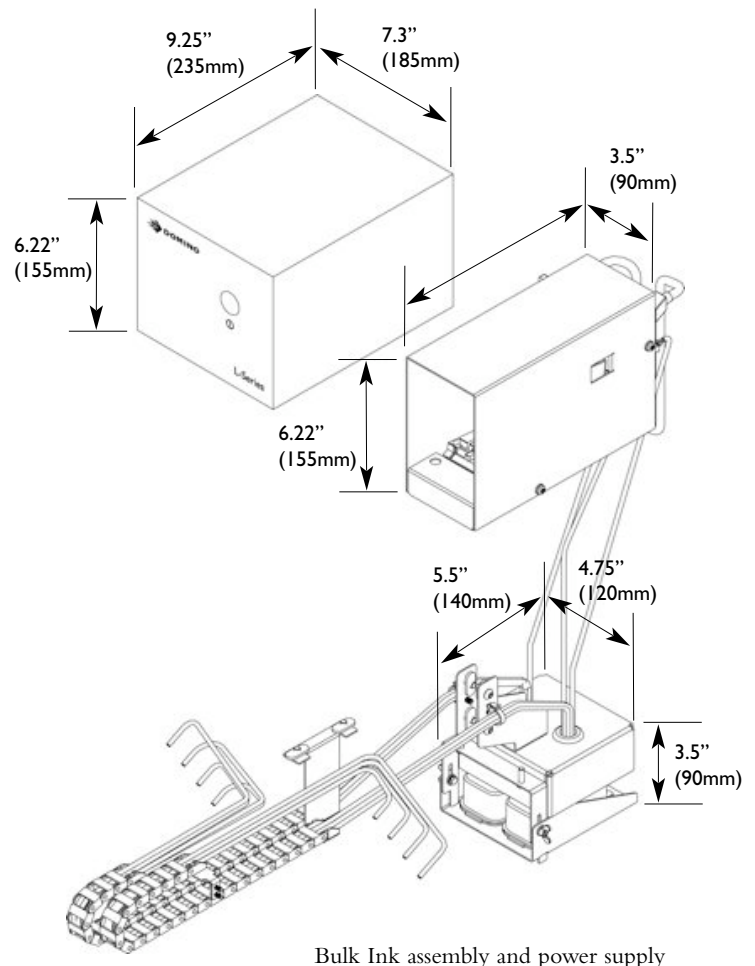
- Data Formats:
Fixed length fields/records - Variable delimited files
Database Formats: Access, dBase, Excel, HTML files, Lotus 1-2-3, Paradox, XML files
Files over an ODBC link
FlexMail™ barcodes: EAN-13, EAN-8, UPC-A, UPC-E (all with 2 and 5 digit supplementary), ISBN, ISSN, ISMN, EAN-128, ITF-14, ITF-6, Codabar, Code-39, Extended Code 39, Code-93, Extended Code 93, Code 11, Code B, Code 128, 2 of 5, Interleaved 2 of 5, 3 of 9, Matrix 2/5, MSI, Plessey, SISAC, SSCC and Telepen, USPS Intelligent Mail® barcode, other Four State postal barcodes

Minimum PC Specification:

Windows® 2000/XP (incl. Microsoft .net framework) 2.8 GHz, 512Gb RAM, 40Gb Hard drive, CD ROM, 2.0 USB port per print head, USB cable, monitor, keyboard and mouse

Editor GT Controller

- Full details can be found in the Editor GT data sheet





Domino Worldwide

Through an extensive global network of subsidiaries and distributors, Domino operates in over 120 countries. This network offers customers both sales support and access to highly skilled service teams, providing technical support packages to suit the varying production environments and customer requirements across the world.

AUSTRALIA

Domino (Australia) Pty. Ltd.
Unit 12
6 Gladstone Road
Castle Hill
Sydney
NSW 2154
Tel: + 61 2 9894 7833

CANADA

Domino Printing Solutions Inc.
2751 Coventry Road
Oakville
Ontario
L6H 5V9
Tel: + 1 800 387 7972

CHINA

Domino Coding Ltd.
No. 1150 yun Qiao Road
Jin Qiao Export Processing Zone
Pudong
Shanghai 201206
Tel: + 86 21 5050 9999

FRANCE

Domino SAS
ZA du Bel Air
2 Rue Mege Mouries
78120 Rambouillet
Tel: + 33 1 3046 5678

GERMANY

Domino Deutschland GmbH
Lorenz-Schott-Strasse 3
55252 Mainz-Kastel
Tel: + 49 61 34 25 050

MEXICO

Domino Printing México
SA de CV
Calle 3 No. 47 Local 6F Col.
Industrial Naucalpan
53370 Edo. De México
Tel: + 52 55 5576 7979

NETHERLANDS

Domino Amjet BV
Ambachtsweg 8
3991 LH Houten
Tel: + 31 30 636 3333

SPAIN

Domino Amjet Ibérica S.A.
Avenida Fuente Nueva No 14
28700 S.S. de los Reyes
Madrid
Tel: + 34 91 654 2141

UNITED KINGDOM

Domino UK Ltd
(Headquarters)
Bar Hill
Cambridge
CB23 8TU
Tel: + 44 1954 782 551
www.domino-printing.com

UNITED STATES OF AMERICA

Domino Amjet. Inc.
1290 Lakeside Drive
Gurnee
Illinois 60031
Tel: + 1 800 486 7414

For all other territories please review our website in order to determine your local Domino representative.

www.domino-printing.com

L400/1007 Due to our policy of continuous improvement, specifications are subject to change without notice. E&OE.