

Bitjet+™ v4.5

High speed, versatile in-line ink jet printing system



data sheet

Bitjet+™ v4.5 Digital Ink Jet Printer

Domino Bitjet+ is the most versatile high-speed, in-line digital printing system.

Adding personalisation including addressing, numbering, barcodes and graphics, enables you to offer an added value solution that complements your customer's conventional printing requirements. The extremely compact Bitjet+ print head and fast drying inks provide excellent in-line application versatility and facilitate printing on the widest range of substrates including coated paper, plastic and film. Common applications include bindery, folders, wrapping, inserters, rewinders, plastic cards, sheet feed and web press, mailing lines and label presses.



Print Performance

Through adjusting the angle of the print head, three different print widths and vertical resolutions (across the material travel direction) are achieved. Running speed will determine maximum horizontal resolution (in the material travel direction). Refer to table for common image formats.

Vertical Resolution	Horizontal Resolution	Max Speed		Image	
		(m/sec)	(ft/sec)	Ht. (mm)	Ht. (inches)
170dpi	170dpi	9.5	31.3	38.4	1.51
134dpi	134dpi	12.1	39.8	48.5	1.91
120dpi	240dpi	6.7	22.2	54.0	2.13
120dpi	120dpi	13.5	44.4	54.0	2.13
120dpi	100dpi	16.2	53.3	54.0	2.13

Optimum print quality is achieved at lower running speeds.

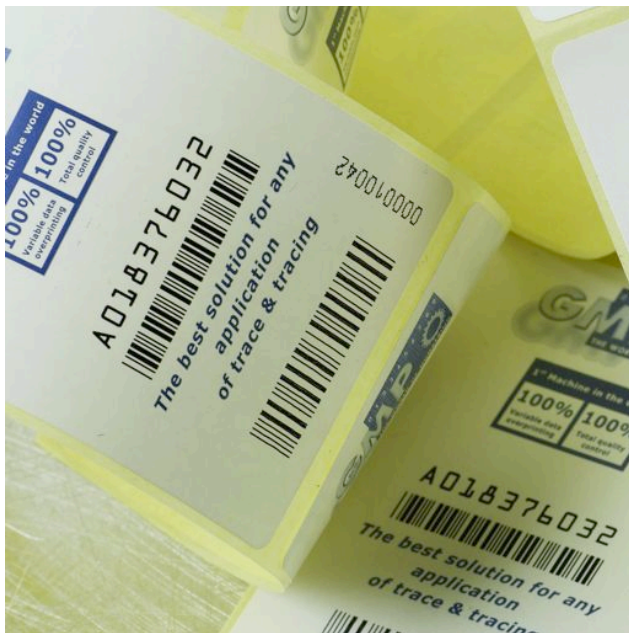
For high speed applications, over 6m/s Domino recommends using the optional Widetrack Electrode (patent pending) which enables more precise drop placement control.

Over the full range of operating speeds, Bitjet+ is capable of printing variable text including addresses, Bitmap graphics, and a comprehensive range of barcodes and 2D codes. Unicode characters, including Chinese and Japanese, as well as the latest postal barcodes, including the USPS Intelligent Mail® Barcode, are supported. Refer to the technical specification for a comprehensive listing.

Reliability

The Bitjet+ drop control management system enables unparalleled standards of continuous operation. Dependent on production conditions, printing continuously for 12 hours and above without any manual intervention is now the standard.

An automatic back flush function limits the risk of blocked nozzles developing.



Operation

A semi-automatic start-up process is combined with a powerful ink heater meaning that a ready-to-print status is typically achieved in ten minutes.

Bitjet+ can operate independently without a separate data controller for simple data file printing applications.

Where there are multiple printers, or line control requirements, the Domino Editor GT, as well as a number of other industry standard controllers, have standard TCP/IP and serial interfaces for the Bitjet+ printer.



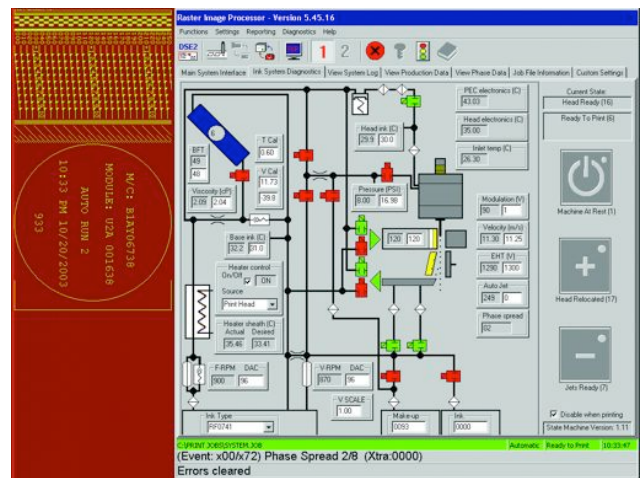
Ink Types

Acetone based black and red inks provide fast drying performance. Acetone based inks offer benefits in terms of regulatory conditions, including, in some cases, VOC exemption.

An MEK based fast drying black ink is also available.

Advanced Diagnostics

The Bitjet+ offers intuitive Windows based interactive diagnostics, accessible both locally at the machine and remotely, ensuring minimum downtime. The circuit board and simple LED technology provides quick visual fault indication.



Bar Hill
Cambridge



Mr. T. Peterson
ATC Inc.
1904 Wright Circle
Anaheim
CA 92846

Arial 12pt
Arial 10pt
Arial 8pt
Arial 6pt

Herr
Smidt Johan
Bornfeld 62
CH-6333 Aarburg



Data Matrix
2D code

Rec No. 0004762



BITJET+

54mm high print swathe printed at 120 x 120 dpi.

Representation of print quality only, achieved print quality dependent on substrate and printer operating conditions.

Technical Specification

General

- Up to 54mm (2.13") image band per print head
- Print resolution from 100dpi to 240dpi
- Linear speeds up to 16.2m/s (53.3ft/s)

Print Head

- Dimensions: 111mm (L) x 250mm (H) x 78mm (W)
4.4" (L) x 10" (H) x 3.12" (W)
- Conduit length: 8m (27ft)
- Prints ± 3 m in elevation from base of print engine
- Print head weight including conduit: 11.5kg (25lbs) dry
- Conduit bend radius: 165mm (6.6"), conduit is 25mm (1") Sealtite

Rack

- Rack Dimensions: 860mm (D) x 1300mm (H) x 450mm (W)
33.8" (D) x 51.2" (H) x 17.7" (W)
- Stainless steel construction
- Includes Domino Signature Editor (top), Bitjet+ Printer Enclosure (middle) and Storage Enclosure (bottom)
- Cabinet weight: 27kg (60lbs) dry

Electronics

- Main control board for the main printer functions
- Print head control board set for jet and drop control
- RIP-PC

Power Supply and External Interfaces

- 120v or 230v, 50/60HZ, switch selectable
- Shaft encoder input, NPN O/C or line driver, 12v or 5v
- TCP/IP – Domino Editor GT and third party controller range
- RS232 (1 to eight) data interface

Stand-Alone Mode

- 120x120dpi, 54mm (2.13") print width
- Printing from either comma delimited or tab delimited data-file
- Supports addressing, 2D code, barcode, Unicode and graphics printing

Ink System

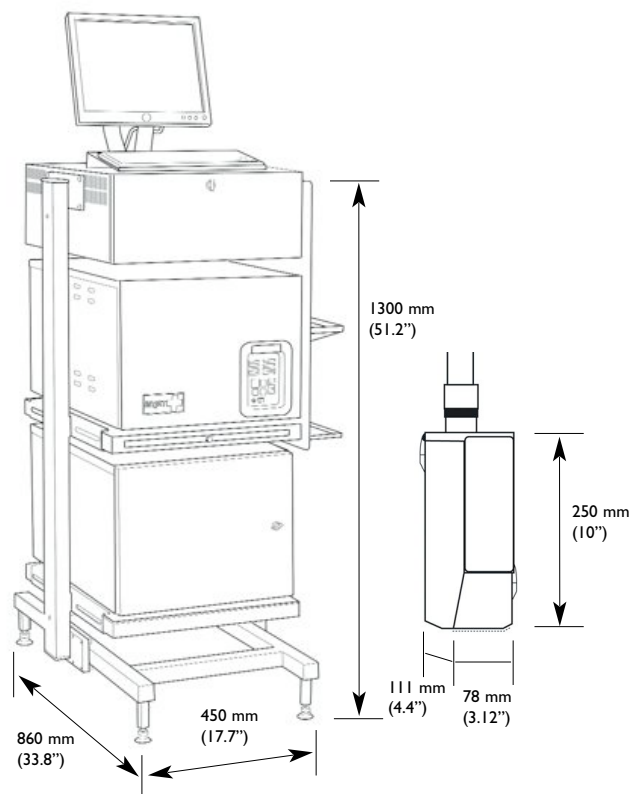
- Automatic set-up of modulation and jet velocity
- Runtime phasing and velocity control
- Automatic level control to 2.5litres (2.6quarts) in reservoir
- Black and red Acetone inks
- Black MEK ink

Fonts/Barcodes

- **Text:** Windows™ True Type, Adobe, OCR
- **Barcodes:** Australian Post Custom, Australian Post Redirect, Australian Post Reply Paid, Australian Post Routing, CodaBar 2 widths, Code 11, Code 2 of 5 Data Logic, Code 2 of 5 IATA, Code 2 of 5 Industry, Code 2 of 5 Interleaved, Code 2 of 5 Matrix, Code 2 of 5 Standard, Code 39, Code 39 (ASCII), Code 93, Code 93 (ASCII), Code 128, Code 128, Code 128A, Code 128B, Code 128C, DPD Code, DP Identcode, DP Leitcode, EAN13, EAN13P2, EAN13P5, EAN14, EAN8, EAN8P2, EAN8P5, EAN128, Flattermarken, GS1-128, GS1 DataBar, GS1 DataBar Expanded, GS1 DataBar Expanded Stacked, GS1 DataBar Limited, GS1 DataBar Stacked, GS1 DataBar Stacked Omnidirectional, GS1 DataBar Truncated, ISBN, Italian Postal, Japanese Postal, KIX, Korean Postal, LOGMARS, MSI, NVE-18, Pharmacode One-track, Pharmacode Two-track, PLANET 12, PLANET 14, Plessey, Plessey Bidirectional, PZN, Royal Mail 4State, SSCC-18, Telepen, Telepen Alpha, UCC/EAN 128, UPC 12, UPC 25, UPC A, UPC-A P2, UPC-A P5, UPC-E, UPC-E P2, UPC-E P5, USPS Intelligent Mail Barcode, USPS PostNet5, USPS PostNet6, USPS PostNet9, USPS PostNet10, USPS PostNet 11, USPS PostNet12.
- **2D Codes:** Data Matrix, MicroPDF417, PDF417, PDF417 truncated, QR-Code

Accessories

- Encoder and print go inputs available on option modules
- Print head mounting brackets
- Cart and wash stations
- Rack system supplied as standard





Domino Worldwide

Through an extensive global network of subsidiaries and distributors, Domino operates in over 120 countries. This network offers customers both sales support and access to highly skilled service teams, providing technical support packages to suit the varying production environments and customer requirements across the world.

AUSTRALIA

Domino (Australia) Pty. Ltd.
1, Neutron Place
Rowville
Melbourne
Victoria 3178
Australia
Tel: + 61 3 9764 8485

BELGIUM

Domino Benelux
Uitbreidingstraat 84/3
B-2600 Berchem
Belgium
Tel: +32 (0)3 218 2028

CANADA

Domino Printing Solutions Inc.
2751 Coventry Road
Oakville
Ontario
L6H 5V9
Tel: + 1 800 387 7972

CHINA

Domino Coding Ltd.
No. 1150 yun Qiao Road
Jin Qiao Export
Processing Zone
Pudong
Shanghai 201206
Tel: + 86 21 5050 9999

FRANCE

Domino SAS
ZA du Bel Air
2 Rue Mege Mouries
78120 Rambouillet
Tel: + 33 1 3046 5678

GERMANY

Domino Deutschland GmbH
Lorenz-Schott-Strasse 3
55252 Mainz-Kastel
Tel: + 49 61 34 25 050

MEXICO

Domino Printing México
SA de CV
Calle 3 No. 47 Local 6F Col.
Industrial Naucalpan
53370 Edo. De México
Tel: + 52 55 5576 7979

NETHERLANDS

Domino Benelux
Ambachtsweg 8
3991 LH Houten
Tel: + 31 30 636 3333

SPAIN

Domino Amjet Ibérica S.A.
Avenida Fuente Nueva No 14
28700 S.S. de los Reyes
Madrid
Tel: + 34 91 654 2141

UNITED KINGDOM

Domino UK Ltd
(Headquarters)
Bar Hill
Cambridge
CB23 8TU
Tel: + 44 1954 782 551

UNITED STATES OF AMERICA

Domino Amjet. Inc.
1290 Lakeside Drive
Gurnee
Illinois 60031
Tel: + 1 800 486 7414

For all other territories please review our website in order to determine your local Domino representative.

www.domino-printing.com